



### Application

- Can be used to transfer clean water or other liquids similar to water in physical and chemical properties
- Suitable for industrial use and urban water supply, pressure boosting for high buildings and fire fighting, garden irrigation, long-distance water transfer, heating ventilation and air conditioning, circulation and pressure boosting for cold and hot water, and supporting equipment etc.

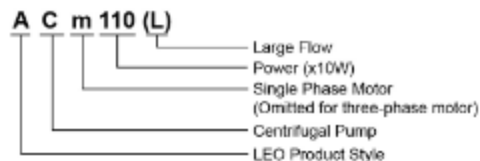
### Pump

- Cast iron pump body and support under special anti-rust treatment
- AISI 304 shaft
- Max. liquid temperature: +80°C
- Max. suction: +8 m

### Motor

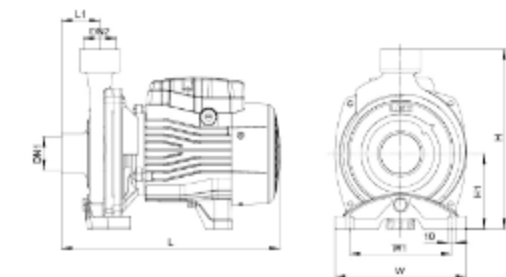
- Low noise & Long life bearing
- Motor with copper winding
- Built-in thermal protector for single phase motor
- Insulation class: F
- Protection class: IPX4
- Max. ambient temperature: +40°C
- IE 2 motor (Three phase, power ≥ 0.75kW)

### Identification Codes



### Technical Data

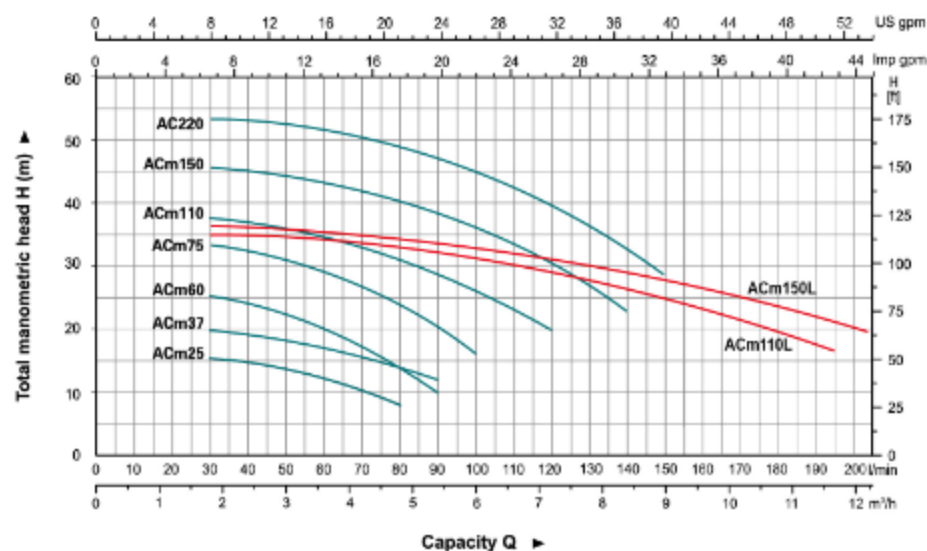
Model	Power	Q(m³/h)	Q(l/min)																					
			0	0.6	0.9	1.2	1.8	2.4	3.0	3.6	4.2	4.5	4.8	5.4	6.0	6.6	7.2	7.8	8.4	9.0	9.6	10.8	11.7	12.6
ACm25	-	0.25	0.3	17	16.5	16.2	16	15.5	14.5	3.5	12.5	10.5	9.5	8	-	-	-	-	-	-	-	-	-	-
ACm37	-	0.37	0.5	23	21.5	21	21	20.5	19.5	18	17	15.5	14.5	14	12	-	-	-	-	-	-	-	-	-
ACm60	AC60	0.5	0.8	27	26.5	26.2	26	25	24.5	22.5	20	17	15.5	14	10	-	-	-	-	-	-	-	-	-
ACm75	AC75	0.75	1	36	35	34	33.5	33	32	31	29	27	26	23.5	20	16	-	-	-	-	-	-	-	-
ACm110	AC110	1.1	1.5	40	39	38	38	37.5	37	36	35	33	32	31	29	26	23	20	-	-	-	-	-	-
ACm150	AC150	1.5	2	48	47.5	47	46.5	45.5	44.5	43.5	42.5	41.5	41	40.5	39	37	34.5	31	27	22	-	-	-	-
-	AC220	2.2	3	55	54.5	53	53.5	53	52.5	51.5	50.5	49.5	48	48.5	47	45.5	43.5	40	36.5	32.5	28	-	-	-
ACm110L	AC110L	1.1	1.5	34.5	34.3	34.2	34.1	34	33.8	33.5	33	32.5	32.3	32	31	30.5	29.5	28.5	27.5	26.5	25	23.5	20	18.5
ACm150L	AC150L	1.5	2	37.5	37.2	37	36.9	36.6	36.2	35.8	35.4	35	34.8	34.7	34	33.3	32.5	31.5	30.5	29.5	28.2	27	24	21



### Dimension

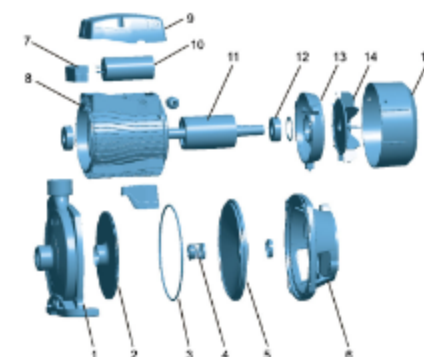
Model	DN1	DN2	L (mm)	W (mm)	H (mm)	L1 (mm)	W1 (mm)	H1 (mm)
ACm25	1"	1"	270	157	216	42	122	80
ACm37			270	157	216	42	122	90
ACm60			298	190	240	44	160	90
ACm75			298	190	240	44	160	100
ACm110	1 1/4"	1"	359	206	263	50	178	112
ACm150			380	240	286	51	207	115
AC220	1 1/2"	1"	360	240	286	51	207	115
ACm110L			356	206	265	48.5	178	112
ACm150L			356	206	285	48.5	178	112

### Hydraulic Performance Curves



### Materials Table

No.	Part	Material	No.	Part	Material
1	Pump body	HT 200	11	Rotor	
2	Impeller	AISI304/Brass	12	Bearing	
3	O-ring	NBR	13	Rear cover	ZL102
4	Mechanical seal	Carbon/Ceramic	14	Fan	PP
5	Support cover	AISI304/HT200	15	Fan cover	PP
6	Support	ZL102			
7	Terminal board	PC			
8	Stator				
9	Terminal box	PA6-GF25			
10	Capacitor				



### Package Information

Model	GW (Kgs)	L (mm)	W (mm)	H (mm)	Quantity (PCS/20 TEU)
ACm25	7.9	290	185	239	2124
ACm37	8.4	290	185	239	2124
ACm60	11.5	333	215	260	1384
ACm75	13.4	333	215	260	1384
ACm110	18.45	383	233	287	987
ACm150	22.8	425	265	210	770
AC220	23.3	425	265	210	770
ACm110L	18.4	383	233	287	987
ACm150L	19.35	383	233	287	987





### Application

- Can be used to transfer clean water or other liquids similar to water in physical and chemical properties
- Suitable for small living water supply, automatic water sprinkler system, small air conditioner system or supporting equipment etc.

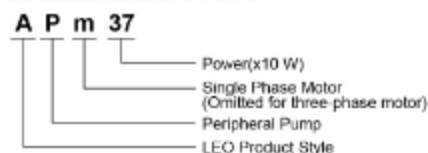
### Pump

- Special anti-rust treatment for cast iron pump body and support
- Brass impeller
- AISI 304 shaft
- Max. liquid temperature: +80°C
- Max. suction: 8 m

### Motor

- Low noise & Long life bearing
- Motor with copper winding
- Built-in thermal protector for single phase motor
- Insulation class: F
- Protection class: IPX4
- Max. ambient temperature: +40°C
- IE 2 motor (AP110, AP150)

### Identification Codes

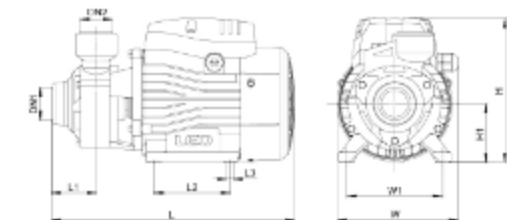


### Technical Data

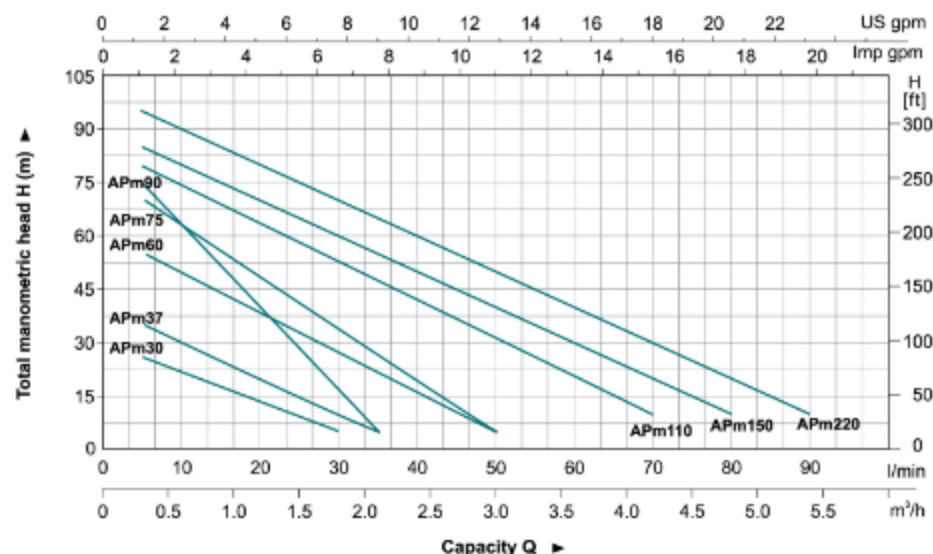
Model		Power		Q(m <sup>3</sup> /h)																
Single Phase	Three Phase	kW	HP	0	0.3	0.6	0.9	1.2	1.5	1.8	2.1	2.4	3.0	3.6	4.2	4.8	5.4			
				Q(l/min)																
				0	5	10	15	20	25	30	35	40	50	60	70	80	90			
APm30	-	0.3	0.4	30	26	20	15	12	8	5	-	-	-	-	-	-	-			
APm37	-	0.37	0.5	40	35	30	25	20	15	10	5	-	-	-	-	-	-			
APm60	-	0.6	0.8	60	55	50	40	35	30	25	20	10	5	-	-	-	-			
APm75	-	0.75	1.0	75	70	60	50	45	35	28	22	15	5	-	-	-	-			
APm90	-	0.75	1.0	90	75	60	50	35	25	15	5	-	-	-	-	-	-			
APm110	AP110	1.1	1.5	85	80	75	65	60	55	50	45	40	30	18	10	-	-			
APm150	AP150	1.5	2.0	90	86	80	75	70	65	60	55	50	40	30	20	10	-			
APm220	AP220	2.2	3.0	100	96	90	85	80	75	70	65	60	50	40	30	20	10			

### Dimension

Model	DN1	DN2	L (mm)	W (mm)	H (mm)	L1 (mm)	L2 (mm)	L3 (mm)	W1 (mm)	H1 (mm)
APm30	1"	1"	260	132	155	46.5	80	8.5	100	63
APm37			260	132	155	46.5	80	8.5	100	63
APm60			282	147	183	51	90	8.5	112	71
APm75			300	147	183	54.5	90	8.5	112	71
APm90	3/4"	3/4"	297	147	183	50	80	8.5	112	71
APm110	1"	1"	336	165	210	56	100	9	125	86
APm150			338	165	210	56	100	9	125	86
APm220			395	170	235	56	123	12	140	96
AP220			338	165	210	56	100	9	125	86



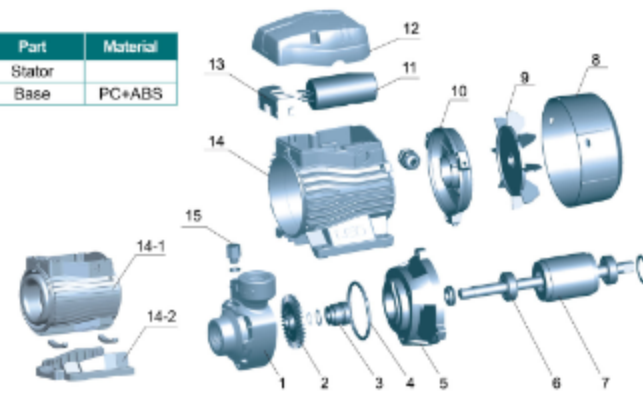
### Hydraulic Performance Curves



### Materials Table

No.	Part	Material
1	Pump body	HT 200
2	Impeller	Brass
3	Mechanical seal	Carbon/Ceramic
4	O-ring	NBR
5	Support	HT200
6	Bearing	
7	Rotor	
8	Fan cover	PP
9	Fan	PP
10	Rear cover	ZL102
11	Capacitor	
12	Terminal box	PA6-GF25
13	Terminal board	PC
14	Stator	
15	Filling plug	HPb59-1

No.	Part	Material
14-1	Stator	
14-2	Base	PC+ABS



### Package Information

Model	GW (Kgs)	L (mm)	W (mm)	H (mm)	Quantity (PCS/20 TEU)
APm30	5.1	283	158	171	3132
APm37	5.5	283	158	171	3132
APm60	9.0	315	190	210	2365
APm75	10.5	335	190	210	2222
APm90	10.5	335	190	210	2222
APm110	15.9	370	210	235	1230
APm150	16.5	370	210	235	1230
APm220	22.3	420	225	265	955
AP220	17.2	370	210	235	1230





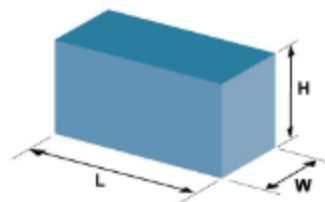
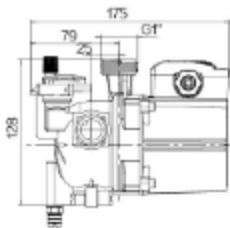
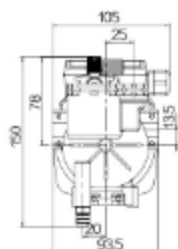
**BRP-G245**

**Technical Data**

Model	Voltage	Gear	Power	Current	Max.Flow	Max.Head
BRP15-50-G245	230V/50Hz	III	80	0.29	2	5.1
		II	60	0.18	1.8	4.5
		I	35	0.14	1.2	3.7
BRP15-60-G245	230V/50Hz	III	85	0.31	2	5.7
		II	65	0.21	1.8	5.6
		I	40	0.16	1.2	4.4
BRP15-70-G245	230V/50Hz	III	130	0.58	2.1	6.8
		II	95	0.48	1.7	6.4
		I	55	0.35	1.4	5.7

**Dimension**

**Package Information**



Model	External packaging				QTY
	NW(kg)	L(mm)	W(mm)	H(mm)	
BRP15-50-G245	1.9	1080	750	1035	140
BRP15-60-G245	1.92				
BRP15-70-G245	1.95				

**Hydraulic Performance Curves**

